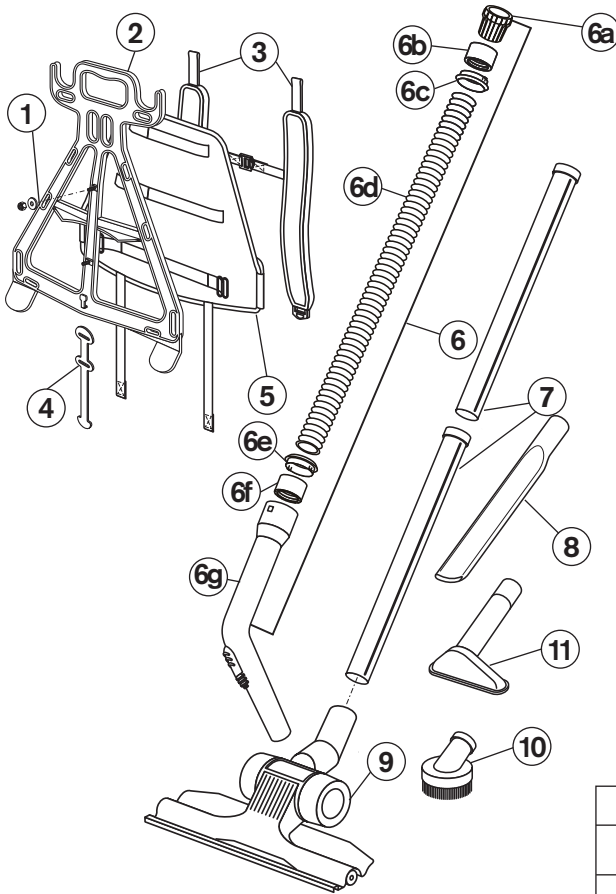


Superpro 700 Series Harness, Accessories & Optional Extras



No.	Part Name	Part No.
1.	Bolt 5x20 Nut 5mm nyloc Washers 3/16 x3/4 & 3/16 x7/16	
2.	Frame	KC120
3.	Shoulder strap	KC121
4.	Cord restraint	KC268
5.	Back support, Padding and waist straps	KC263
6.	Vacuum hose complete	KC320
6a.	Machine end connector	KC200
6b.	Hose cuff hull	UA914
6c.	Hose clip ring	UA915
6d.	Vacuum hose	KC350
6e.	Hose clip ring	UA915
6f.	Hose cuff hull	UA914
6g.	Bent hand piece	KC330
7.	Two piece wand	KC9092
8.	Crevice tool	KC911
9.	Combination floor tool with wheels	UA908W
10.	Dusting brush	KC910
11.	Upholstery tool	KC912

OPTIONAL EXTRAS

Part No. KC928 Powerhead set complete	Part No. KC909 Extendable wand
NOTE: Not suitable for commercial use	

Part No. UA908 Combination floor tool 	Part No. UA9272 Bottom plate to suit combination floor tool 	Part No. UA917H All purpose floor tool
Part No. UP112PB Plug in RCD adaptor 	Part No. UA926 Turbo head 	Part No. UA913M Metal bent hand piece