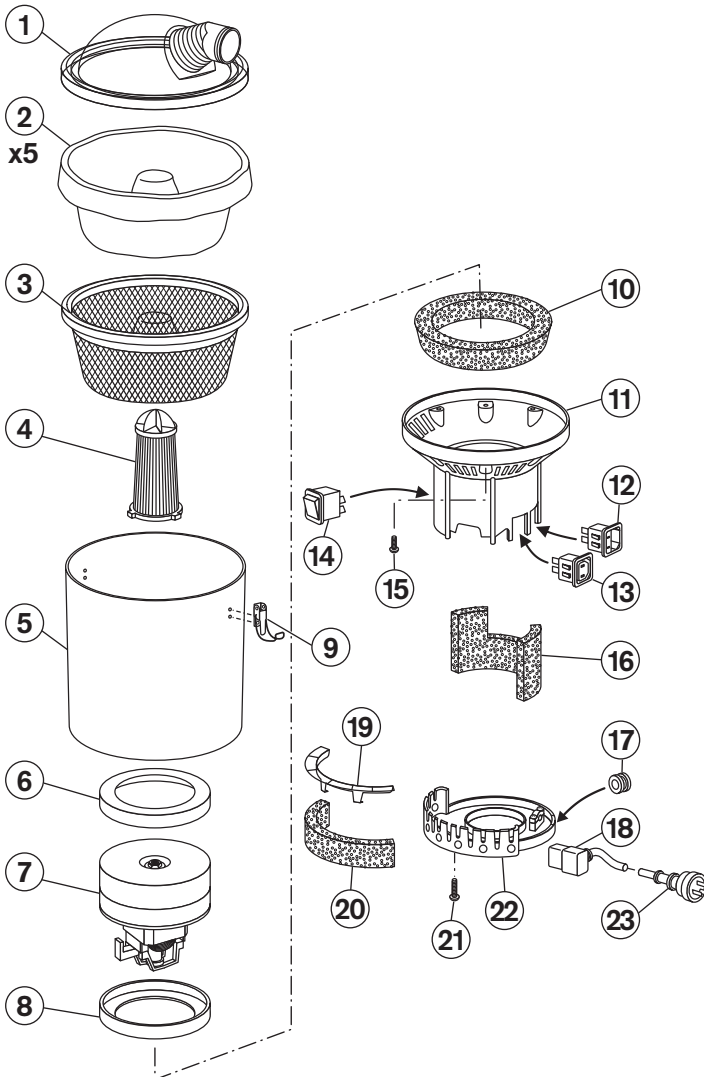


Parts Profile - **Superpro 700**



Hypercone™ Air Flow System
 Motor Type: 2 Stage Flow Thru
 220-240 volts
 50 Hertz
 1000 Watts + 200 Watts Outlet
 4-5 Amps

Quote these part numbers when
 ordering spare parts

No. Part Name	Part No.
1. Top dome lid	KC251
2. Hypercone paper bag	AF101
3. Dust bag	KC502HC
4. Hypercone HEPA filter	KC270
5. Main vacuum canister	KC252
6. Motor gasket	KC253
7. 1000w Motor flow thru (240v)	UP118
8. Motor gasket	KC253
9. Toggle latch	KC131
10. Intermediate noise insulation	PV254
11. Intermediate housing	KC256IEC
12. Power inlet	KC257IEC3
13. Power outlet	KC257
14. Switch	VS261
15. Screw 5x20 (plastite)	PV298
16. Noise insulation (motor)	PV255
17. Hole plug	KC262P
18. Short lead IEC (AU Only)	KC109IEC
19. Motor filter cage	KC264
20. External motor filter	PV259
21. Screw 6x25	
22. Bottom cap	KC258
23. Extension lead	
AU, NZ, ZA	KC11118
Mains cable lead:	
UK, SG, IN, AE	KC108UKIEC
EU	KC108EUIEC