



SCOTT* Roll Hand Towel

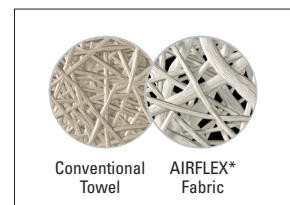
Versatile and Highly Absorbent

Benefits of SCOTT* Roll Hand Towel

- ▶ SCOTT* Towel with AIRFLEX* fabric to provide superior hand drying performance and user satisfaction.
- ▶ High capacity 100m rolls for lower maintenance costs.
- ▶ No individual roll labels means reduced packaging and reduced waste.
- ▶ Compact 12 roll bundle for easier handling & storage.
- ▶ Compatible with most standard roll towel dispensers.


Roll Towel with AIRFLEX* Fabric

- ▶ Absorbs up to 20 times faster than conventional paper towel.
- ▶ Up to 50% stronger than conventional towel when wet.
- ▶ Is softer on hands, which means less skin irritation among frequent users.
- ▶ Is preferred by 80% of users.
- ▶ Conventional hand towels have tightly compressed fibres, which cause water to sit on top of the towel slowing absorbency.
- ▶ New SCOTT* towel with AIRFLEX* fabric contain absorbency cells that soak up water fast, for superior hand drying performance.




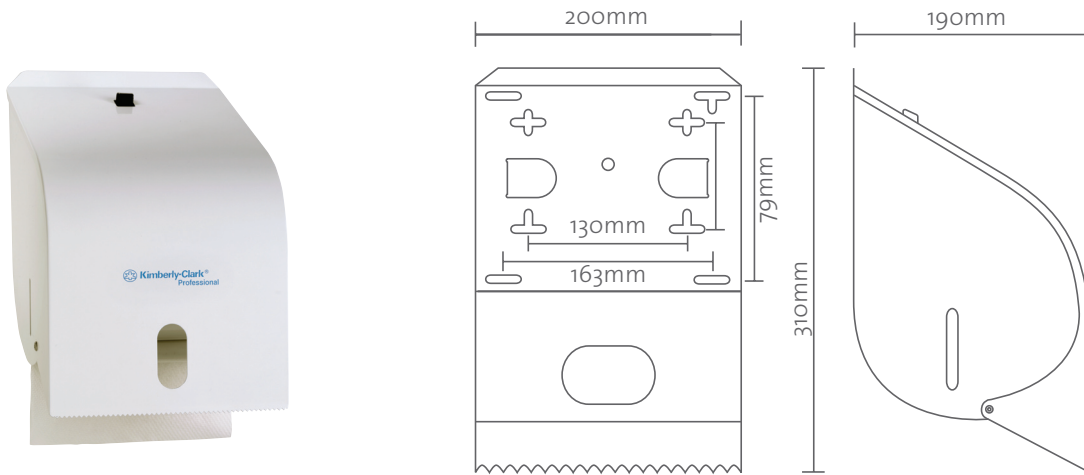


SCOTT* Roll Hand Towel

Description	Code No.	Colour	Case Contents	Roll Size	Dispenser
SCOTT* Roll Hand Towel	4419	White	12 x 	100m x 18cm	4941

Dispensers

Description	Code No.	Colour	Case Contents	Dimensions (W x H x D)
KIMBERLY-CLARK PROFESSIONAL* Roll Hand Towel Dispenser	4941	White, Enamel	1 x 	200mm x 310mm x 190mm



Promoting sustainable forest management



SUPPORT & QUALITY GUARANTEED

No Risk Trial

We are confident that the products we recommend will improve your productivity, control costs, and enhance hygiene. If, after a 60 day trial (or an agreed time), you have spent more than your current washroom, wiping or skincare system, we will reimburse the difference with Kimberly-Clark product (up to a maximum value of \$1000).

Ask your Kimberly-Clark Professional Representative for program conditions.

Guarantee of satisfaction

Our 'no-quibble' guarantee, covering all Kimberly-Clark Professional Products, assures you of trouble-free performance by our recommended systems. The quality and consistency of our products allows us to offer a money-back or replacement of stock guarantee.

Guaranteed support

We are proud of our after sales service. Our national network of distributors and sales representatives are on hand when you need them, the answer to any query you may have is just a phone call away.

Australia 1800 647 994 New Zealand 0800 447 814

www.kcprofessional.com



Quality Endorsed Company

ISO 9001 Lic: QEC1631 Standards Australia